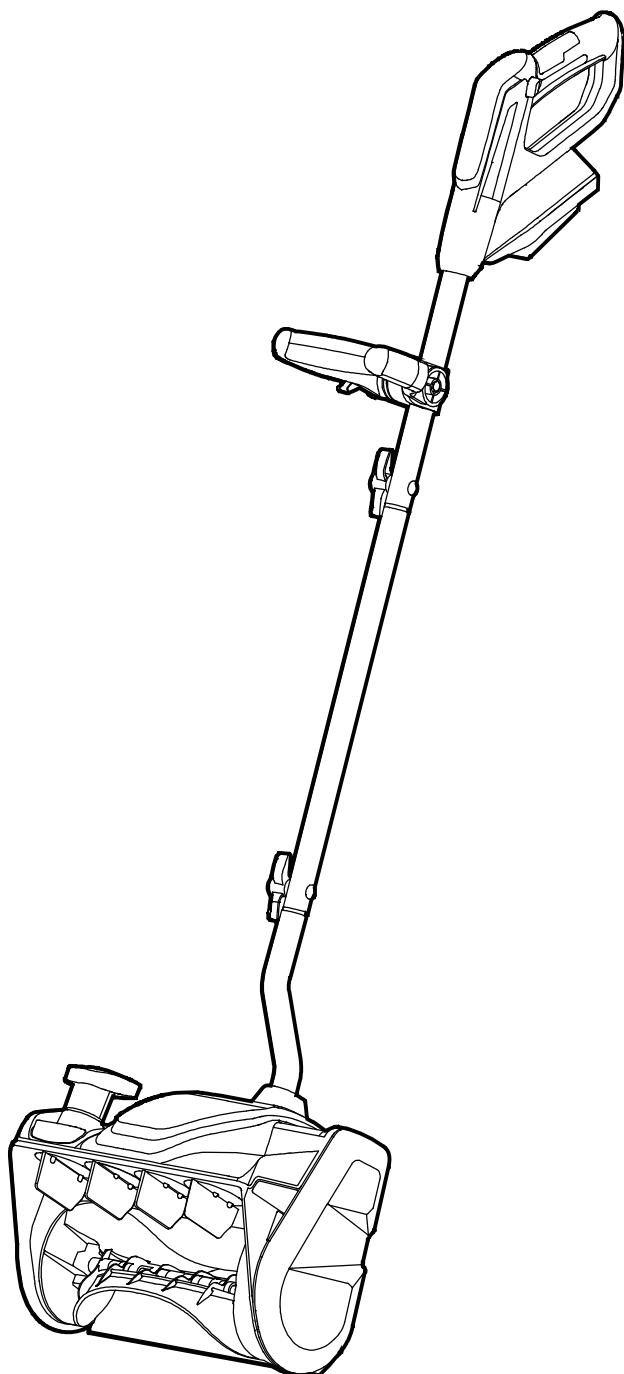


DG844

CORDLESS SNOW SHOVEL



Please read this manual carefully before use
and keep it in a safe place

IMPORTANT!

Safety Instructions

All Operators Must Read

These Instructions Before Use

Read all instructions before using this cordless snow shovel. Basic safety precautions should always be followed to reduce the risk of fire, electric shock and personal injury.

General Safety WARNINGS!

You and any other operator of this snow shovel must read,


understand and follow these instructions in their entirety, and should reread them at the start of each snow season. Failure to follow these instructions may result in ELECTRIC SHOCK, FIRE and/or serious PERSONAL INJURY.

Notice the personal safety alert symbol used in this manual to draw your attention to a WARNING given along with the particular operating instruction. This means that the operation requires special ATTENTION, CAUTION and AWARENESS.

1. **Keep work area clean and well lit** – Cluttered, dark areas invite accidents.
2. **Use the right product** – Do not use this machine for any job except that for which it is intended.
3. **Replacement parts** – When servicing this unit, use only identical replacement parts. Replace or repair damaged charger cord immediately. Do not use on gravel surfaces unless the snow shovel is adjusted for such surfaces in accordance with the operator's manual.
4. **Keep children, bystanders and pets away** – All spectators, including pets, should be kept a safe distance away from the work area.
5. **Dress properly** – Do not wear loose articles of clothing or jewelry. They can become caught in moving parts. Wear rubber boots. The cordless snow shovel should not be operated in the hand-held position except when the instructions provided in this manual deem such use permissible.
6. **Avoid accidental starting** – Make sure the safety switch and the On/Off switch are in the off position before inserting

the battery in the unit. Do not carry the cordless snow shovel with the safety switch and the On/Off switch engaged.

7. **Moving parts** – Keep hands and feet away from moving parts. Keep guards in place and in proper working order.
8. **CAUTION!** Exercise caution to avoid slipping or falling. Wear protective footwear that will protect your feet and improve your footing on slippery surfaces.
9. **Use safety glasses** – Also use safety footwear, snug-fitting clothing, protective gloves, hearing and head protection.
10. **Stay alert** – Watch what you are doing. Use common sense. Do not operate the cordless snow shovel when you are tired or under the influence of alcohol or drugs.
11. **Do not force the tool** – It will perform better with less likelihood of personal or mechanical injury if it is used at the rate for which it was designed.
12. **Do not overreach** – Keep proper footing and balance at all times.
13. If the cordless snow shovel strikes a foreign object, follow these steps:
Stop the cordless snow shovel.
Remove the battery.
Inspect for damage.
Repair any damage before restarting and operating the snow shovel.
14. **Disconnect the tool** – Turn off the power switch and remove the battery when it is not in use, before servicing it, when changing accessories and when performing any other maintenance task.
15. **Store idle tool indoors** – When not in use, the cordless snow shovel should be stored indoors in a dry, locked place out of the reach of children.
16. **Maintain the cordless snow shovel with care** – Follow the applicable maintenance instructions for replacing parts and changing accessories. Lubrication is not required.

 **This is the safety alert symbol. It is used to alert you to potential personal injury hazards. Obey all safety messages that follow this symbol to avoid possible injury or death.**

SAVE THESE INSTRUCTIONS

Improperly using or maintaining this cordless snow shovel could result in injury or death. To reduce this potential, comply with the following safety instructions.

This cordless snow shovel can amputate hands and feet if used incorrectly. It can also pick up foreign objects, which can become dangerous projectiles when thrown into the air. Failure to observe the following safety instructions could result in serious personal injury.

Training

Read, understand and follow all instructions on the machine and in the manual before operating this unit.

Thoroughly familiarize yourself with the controls and the proper use of the equipment.

Know how to stop the unit and disengage the controls quickly.

Children should never be allowed access to the equipment. Adults should never operate the equipment without carefully reading and understanding these instructions.

Keep the area of operation clear of all persons, particularly small children and pets.

Exercise caution to avoid slipping or falling.

Preparation

- Thoroughly inspect the area where the equipment is to be used and remove all doormats, sleds, boards, wires and other foreign objects.
- Do not operate the equipment without wearing adequate
- winter garments. Avoid loose fitting articles of clothing that can become caught in moving parts. Wear footwear that will improve footing on slippery surfaces.
- Do not attempt to clear snow from a gravel or crushed rock surface. This product is intended for use only on paved surfaces.
- Never attempt to make any adjustments while the motor is running (except when specifically recommended by the manufacturer).
- Always wear safety glasses or eye shields during operation or while performing an adjustment or repair to protect your eyes from foreign objects that may be thrown from the machine.

Operation

- Do not put hands or feet near or under rotating parts. Keep clear of the discharge opening at all times.
- Exercise extreme caution when operating on or crossing gravel drives, walks or roads. Stay alert for hidden hazards or traffic.
- After striking a foreign object, stop the motor. Thoroughly inspect the cordless snow shovel for any damage, and repair the damage before restarting and operating the cordless
- snow shovel.
- If the unit should start to vibrate abnormally, stop the motor and check the unit immediately to ascertain the cause. Vibration is generally a sign of trouble.
- Stop the motor and remove the battery whenever you leave the operating position, when transporting the unit, before unclogging the rotor blade housing and when making any repairs, adjustments or inspections to the unit.
- When cleaning, repairing or inspecting the cordless snow shovel, make sure that all moving parts have come to a
- complete stop before beginning work.
- Exercise extreme caution when operating on slopes.
- Never operate the cordless snow shovel without proper guards and other safety devices in place and in proper working order.
- Never direct the discharge toward people or areas where property damage can occur. Keep children, pets and other bystanders away from the work area.
- Do not overload the machine capacity by attempting to clear snow at too fast a rate.
- Look behind and use care when backing up with the cordless snow shovel.
- Never operate the cordless snow shovel without good visibility or light. Always be sure of your footing, and keep a firm hold on the handles. Walk, never run, with the unit.

This is the safety alert symbol. It is used to alert you to potential personal injury hazards. Obey all safety messages that follow this symbol to avoid possible injury or death.

Clearing a Clogged Rotor Housing

Hand contact with the rotating rotor blades inside the rotor housing is the most common cause of injury associated with cordless snow shovels. Never use your hands to clear a clogged rotor housing.

To clear the rotor housing:

- Shut the motor off and remove the battery.
- Wait 10 seconds to be sure the rotor blades have come to a complete stop.
- Always use a clean-out tool, not your hands, to free the rotating blades.

Maintenance and Storage















Check all fasteners at frequent intervals for proper tightness to ensure that the equipment is in safe working condition. Always refer to the operator's manual for important details, such as how to properly store your cordless snow shovel for an extended period of time. Maintain or replace safety and instruction labels as needed. Run the machine a few minutes after throwing snow to prevent the rotor blades from freezing.

Protection from environmental influences

1. Wear suitable work clothes. Wear safety goggles.
2. Protect your cordless tool and the battery charger from moisture and rain. Moisture and rain can cause dangerous cell damage.
3. Do not use the cordless tool or the battery charger near vapors and flammable liquids.
4. Use the battery charger and cordless tools only in dry conditions and at an ambient temperature of 41°F – 105°F (5°C – 40.5°C) .
5. Do not keep the battery charger in places where the temperature is liable to reach over 105°F (40.5°C) . In particular, do not leave the battery charger in a car that is parked in the sunshine.
6. Protect batteries from overheating. Overloads, overcharging and exposure to direct sunlight will result in overheating and cell damage. Never charge or work with batteries that have been overheated – replace them immediately, if possible.
7. Store the charger and your cordless tool only in dry locations with an ambient temperature of 41°F – 105°F (5°C – 40.5°C) . Store your lithium-ion battery pack in a cool, dry place at a temperature of 77°F (25°C) . Protect the battery pack, charger and cordless tool from humidity and direct sunlight. Only place fully charged batteries in storage (charged to at least 40%) .
8. Prevent the lithium-ion battery pack from freezing. Battery packs that were stored below 32°F (0°C) for more than 60 minutes must be discarded.
9. When handling batteries, be wary of electrostatic charge. Electrostatic discharges can damage the electronic protection system and the battery cells. Avoid electrostatic charging and never touch the battery poles.

Safety Symbols

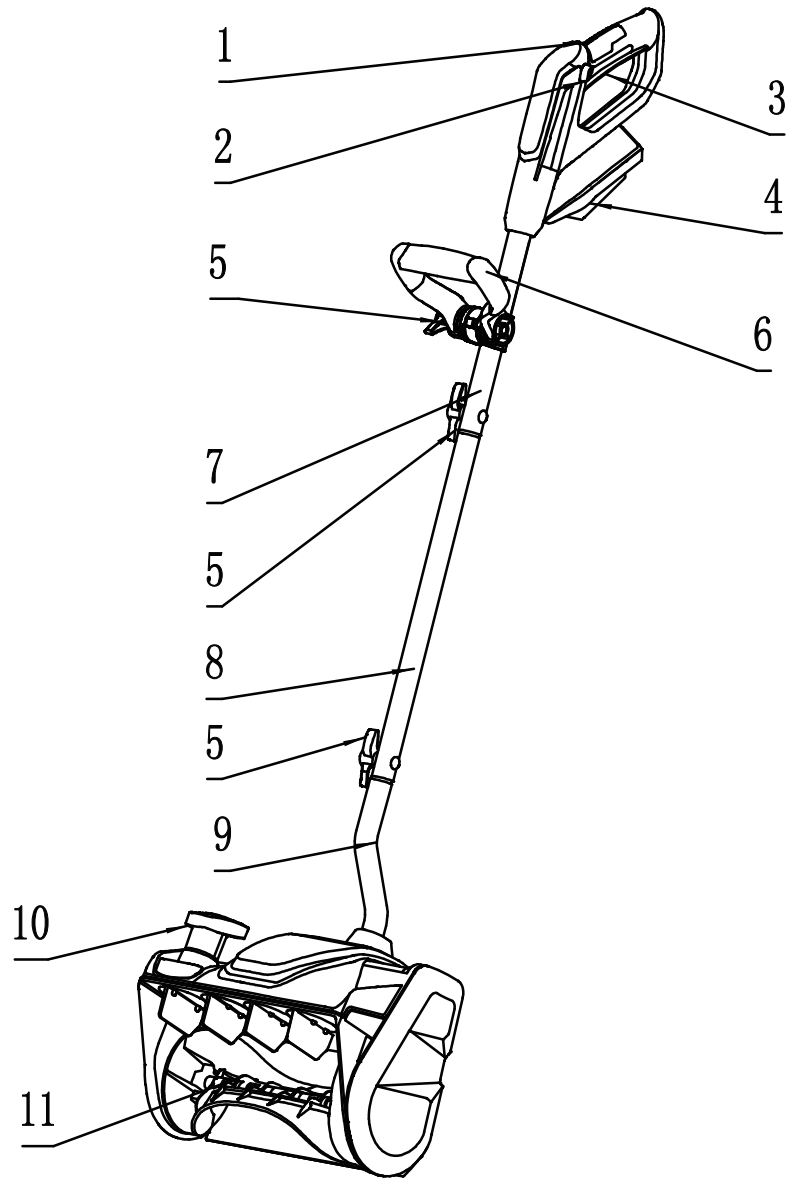
The following table depicts and describes safety symbols that may appear on this product. Read, understand and follow all instructions on the machine before attempting to assemble and operate.

Symbols	Descriptions	Symbols	Descriptions
	READ THE OPERATOR'S MANUAL(S) – Read, understand and follow all instructions in the user manual(s) before attempting to assemble and operate.		WARNING! Do not expose the unit to rain or wet conditions. Keep dry.
	SAFETY ALERT – Indicates a precaution, a warning or a danger.		DANGER! Cutting/dismemberment hazard - keep feet away from the rotating auger.
	Wear hearing protection. Wear eye protection. Wear breathing protection.		CAUTION! Beware of stones and other foreign objects that could be thrown from the appliance.
	Wear safety gloves during use to protect hands.		Wear safety footwear at all times to provide protection against objects that may accidentally fall on feet.
	Do not use hands to unlog chute.		DANGER! Cutting/dismemberment hazard - keep hands away from the rotating auger. Do not use hands to unlog rotor housing. Stop motor before removing debris.
	Keep hands, feet and clothing away from the rotating auger to avoid injury.		Keep bystanders and children a safe distance (at least 11 yd/10 m) away from the work area.
	The rotating part will continuously run for several seconds after you turn off the machine.		Indoor use only. Only use battery charger indoors.

Know Your Cordless Snow Shovel

Read the owner's manual and safety rules carefully before operating your cordless snow shovel. Compare the illustration below to the actual unit in order to familiarize yourself with the location of the various controls and adjustments. Save this manual for future reference.

1. Upper handle
2. Safety switch
3. On/off switch
4. Battery compartment
5. knob
6. Auxiliary handle
7. Upper pole
8. middle pole
9. Lower pole
10. Angle control lever
11. Shovel blade



Technical Data

Model: DG844

Rating: 20V_ 4.0Ah 80Wh

Clearing width: 13inch

Clearing depth: 6inch

Throwing distance: 23ft.

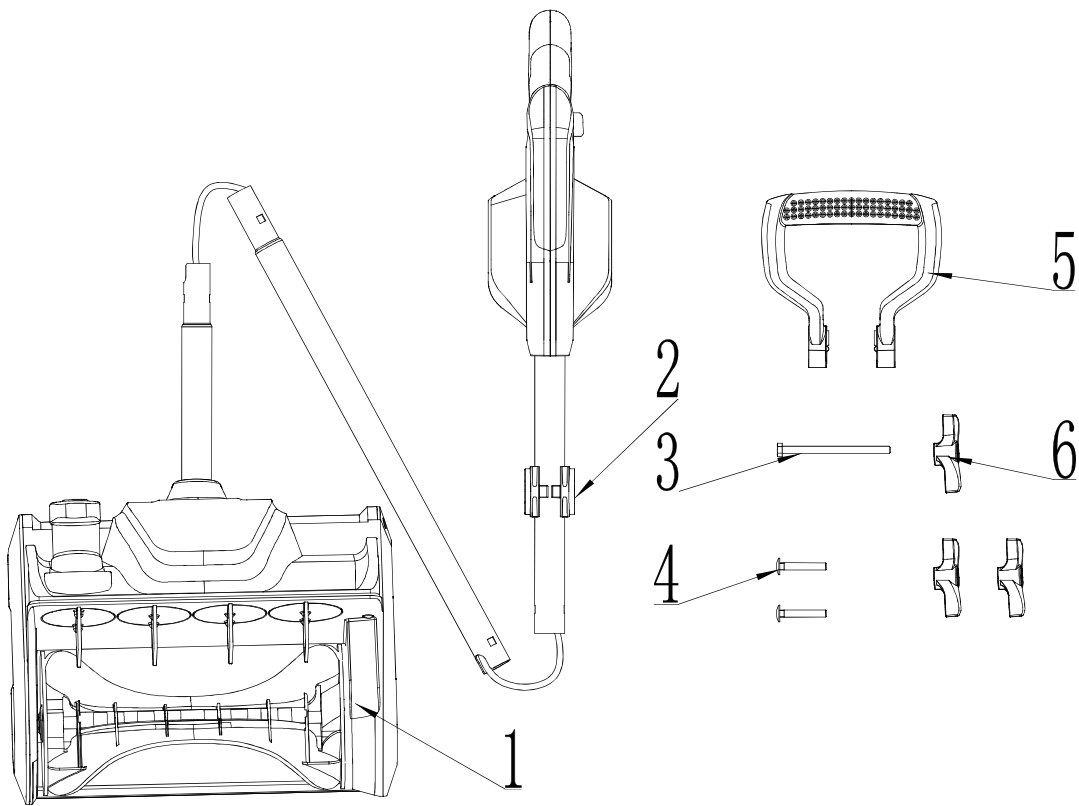
Plowing Capacity: 300lbs/min

Carton size: 320*265*505mm

Unpacking

Carton Contents

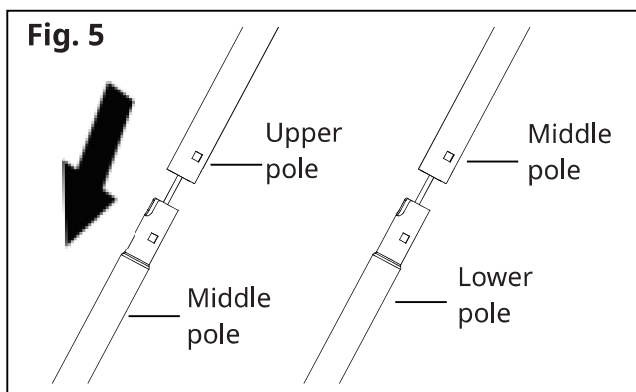
1. Cordless snow shovel assembly 1pc
2. Auxiliary handle bracket 1pc
3. M6×80 Hex Socket screw 1pc
4. M6x45 Carriage bolt 2pc
5. Auxiliary handle 1pc
6. knob 3pcs



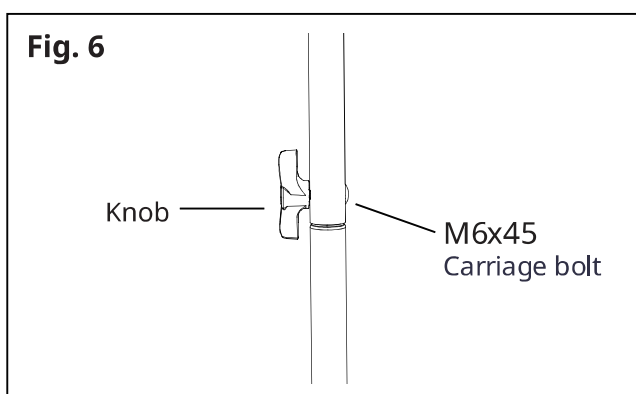
Assembly

Connecting the Poles

1. Connect the poles by inserting the upper pole into the middle pole, middle pole into lower pole (Fig. 5).



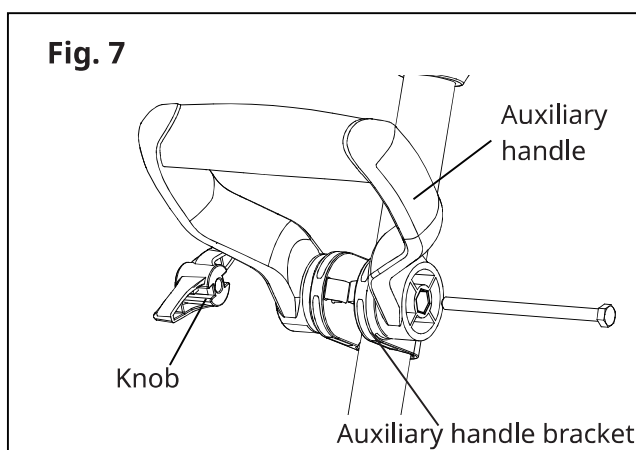
2. Pass the M6×45 carriage bolt through the push rod and screw it into the knob to secure it fixed push rod (Fig 6)



Fix auxiliary handle

First, clip the auxiliary handle bracket onto the upper push handle. Insert the M6×80 hexagon socket screw into the auxiliary handle from the socket side.

turn on the knob.

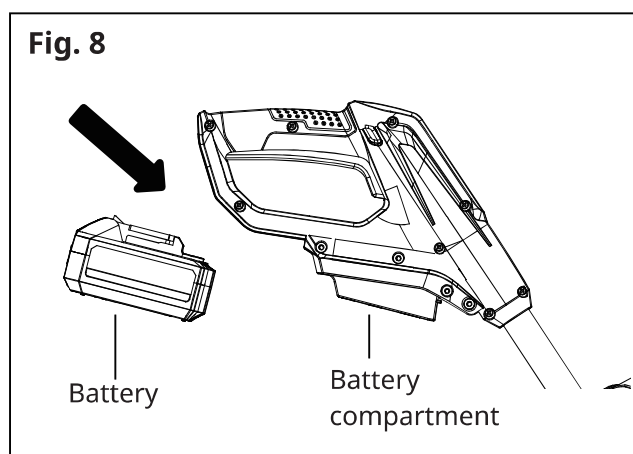


Operation

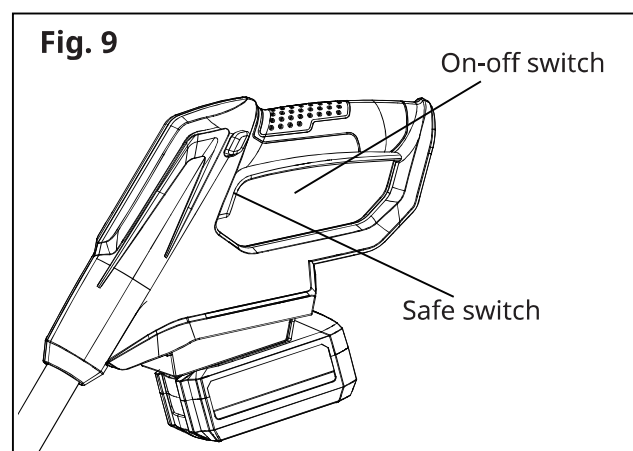
! WARNING! Keep the area to be cleared free of stones, toys or other foreign objects that the rotor blades might pick up and throw. Such items could be covered by snow and are easy to overlook, so be sure to conduct a thorough inspection of the area before beginning work.

Starting the Machine

1. Slide the battery down in the battery compartment until it clicks to lock it into position (Fig. 8).



2. To start the cordless snow shovel, push and hold the safety lock switch on the side of the handle grip with your thumb and then squeeze the On/Off switch with your fingers. Once the machine powers on, you can release the safety lock switch and proceed with operation (Fig. 9).



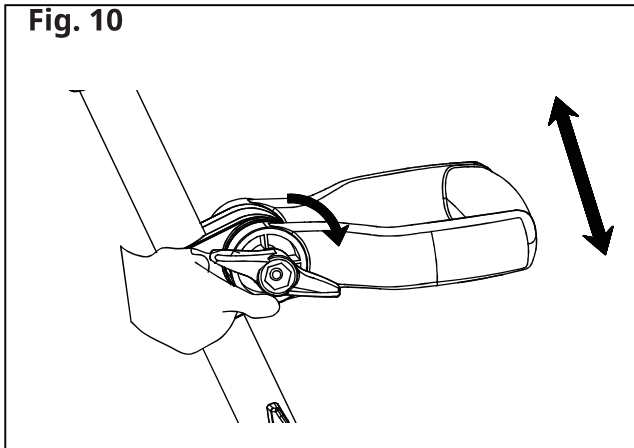
3. To stop the cordless snow shovel, release the On/Off switch.

Positioning the Auxiliary Handle

Loosen the auxiliary handle knob.

Move the auxiliary handle to a comfortable working position (Fig. 10).

Tighten the auxiliary handle knob (Fig. 10).

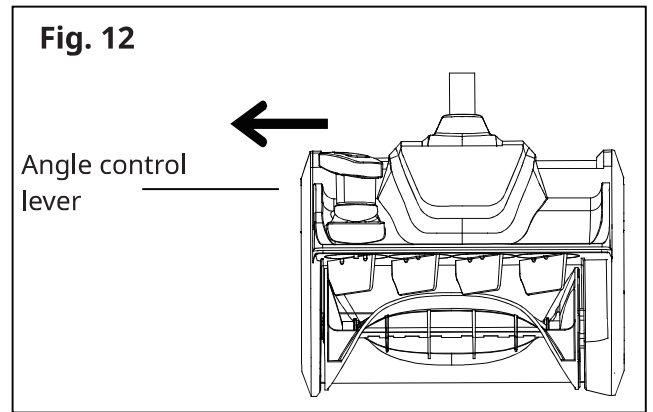
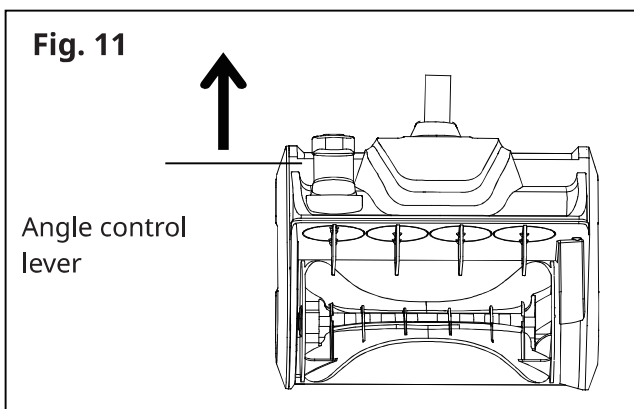


NOTE: In order to prevent the auxiliary handle from moving around or sliding on the pole, be sure to tighten securely.

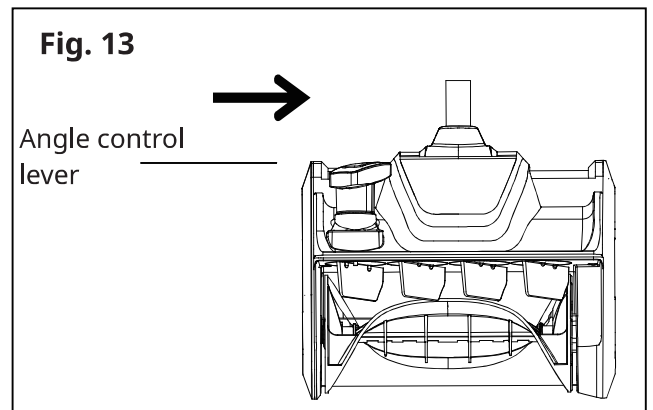
Operating Tips

Start the cordless snow shovel. Push the shovel forward at a comfortable rate, yet slow enough to clear the path completely. The clearing width of the snow shovel and the depth of snowfall should dictate your forward speed.

Direct the snow discharge by using the angle control lever. Pull up angle control lever, (Fig. 11) then turn it left to go left. (Fig. 12)



Pull up angle control lever, then turn it right to go right. (Fig. 13)



- To remove snow most efficiently, throw the snow downwind and slightly overlap each swath.
- If you need to clear snow from a crushed rock or gravel surface, push down on the handle to keep the scraper bar clear of any loose material that the rotor blades could throw.
- This cordless snow shovel cuts a path 12in. (30.5cm) wide and up to 6 in. (15 cm) deep in one pass.
- When clearing deeper drifts, hold the cordless snow shovel by the upper and lower handles and use a swinging or sweeping motion. Remove up to 6 in. (15 cm) of snow with each pass and repeat as many times as needed.
- Remove the battery after using the cordless snow shovel. Hang the shovel so it will not be misplaced or damaged.

Lubricating the Cordless Snow Shovel

This cordless snow shovel does not need lubrication. All bearings are lubricated at the factory for the life of the product.

Storage

Examine the cordless snow shovel thoroughly for worn, loose or damaged parts.

Remove the battery from the cordless snow shovel before storing.

Store the cordless snow shovel indoors in a locked, dry place out of the reach of children to prevent unauthorized use or damage.

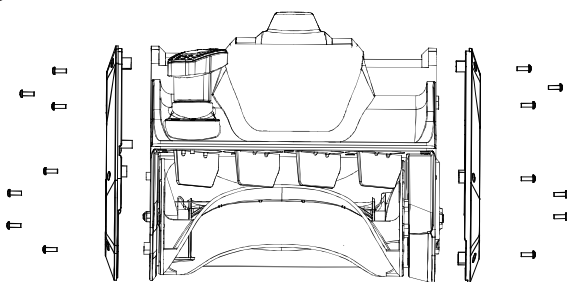
Replacement of Accessories

Important: Before performing any maintenance on the tool, always remove the battery from the tool.

Replacement of the Belt

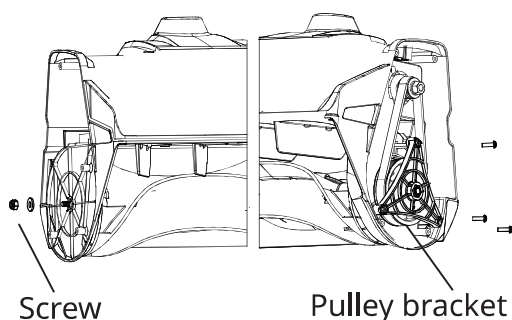
Remove the 14pcs screws on the left and right side panels, then detach the left and right side panels (Figure 1).

Fig 1



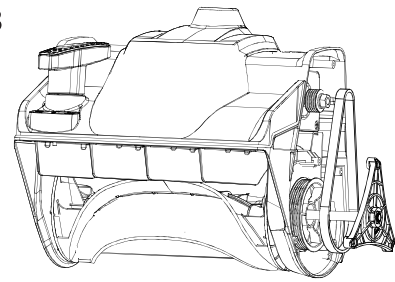
First, remove a nut on the left auger shaft, and then remove three screws on the right pulley bracket (Figure 2).

Fig 2



Pull out the pulley bracket. Slowly rotate the auger with one hand while removing the belt from the pulley with the other hand. (Figure 3)

Fig 3



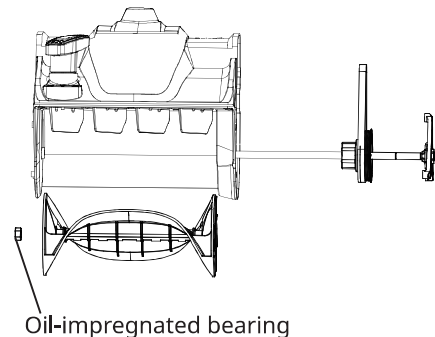
Install the new belt(model no. EPJ416) in the same groove as the old one, and install each component in the reverse order of the above steps.

Replace the auger

Remove the parts according to the steps in Figure 1, Figure 2 and Figure 3. Take the auger shaft from the right side .

Remove the old auger, remove the oil-impregnated bearing on the auger. Install the new auger and all parts in the reverse order of the above steps.

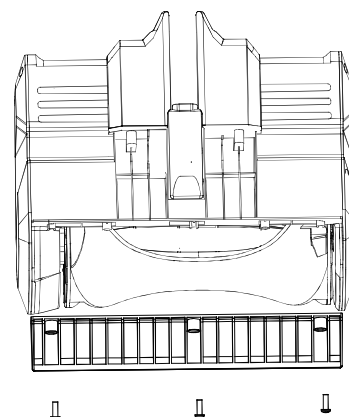
Fig 4



Replace the snow shovel blade

First, remove the three screws on the snow shovel blade (as shown in Figure 5). Then take off the old snow shovel blade and install the new one according to the above steps.

Fig 5



Product Warranty Card

Dear users :

Thank you for buying our products. In order to ensure your profit, users who buy our products can contact local distributor or Specified repair stations with invoice and warranty cards if the product failures due to quality problems.

Warranty Notice:

1. We will provide a 2-year limited warranty for the machine starting from the date of your purchase.
2. This warranty card and purchase invoice are the voucher of after-sales service provided by our company to customers. The card must be detailed only after filling in the following form and affixing the official seal with the distributor.
3. In one of the following cases, free warranty service will be invalid, and maintenance fees will be required:
 - (1) Exceed the expiration date.
 - (2) Failure or damage caused by not following the requirements of the product manual, maintenance or improper storage.
 - (3) Failure or damage caused by disassembling, repairing or modification of the product without the permission of our company.
 - (4) Machine breakdown or damage caused by force majeure.
 - (5) Consumable accessories.

This card is issued with the product. One card for one machine, to ensure that you can fully enjoy the right to free warranty service provided by the company, please keep this card properly, lost will not be replaced.

Purchase Date: _____ (Year/Month/Day)

Product Certificate

Inspector:

01

Date of manufacture:

NINGBO DELI TOOLS CO., LTD.
No. 128 Chezhan West Road, Huangtan Town,
Ninghai County, Ningbo, Zhejiang, China
CUSTOMER SUPPORT EMAIL: ealigasupport@gmail.com
+1 888-909-8850
MADE IN CHINA

