

**deli**

**DL-SJP370-E1**

**DL-SJP550-E1**

**DL-SJP750-E1**

**DL-SJP1100-E1**

**DL-SJP1500-E1**

**DL-SJP2200-E1**

**STAINLESS STEEL  
SUBMERSIBLE DEEP WELL PUMP**



Please read this manual carefully before use  
and keep it in a safe place

# DELI STAINLESS STEEL SUBMERSIBLE DEEP WELL PUMP

---



**Caution !**

- 1、 Please read the instruction book before operating the pump;
- 2、 The double color yellow and green wire of cable must be grounding safely;
- 3、 Please install an electrical control unit before application;
- 4、 If the pump requires maintenance should switch-off power supply firstly then takeout of plug;
- 5、 Avoid domestic animals within working area during operation;do not swim nor be near the water operating with in;
- 6、 Do not use the cable as hanging rope.

## TECHNICAL DATA:

### Single phase motor starting controller

Single phase capacitance operating motor is equipped with an external capacitance and a over-load protector motor starting controller which can automatically break down power supply (manual recover) when motor over-loading.

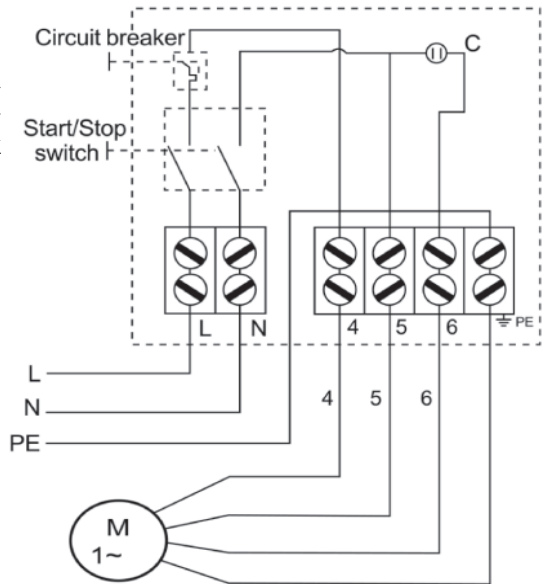
- Suitable application range;

Type of motor: Single phase capacitance motor;  
Motor power: 0.37~2.2kW;  
Voltage: 220V/AC;  
Frequency: 50Hz.

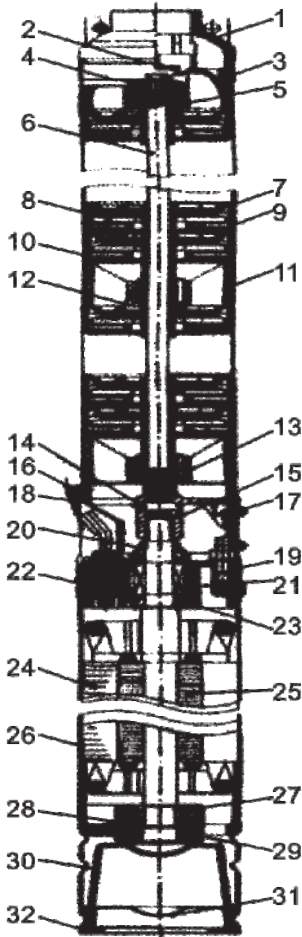
- Installation environment index;  
Grade of protection: IP20;  
Environment temperature:  $-25^{\circ}\text{C}\sim+55^{\circ}\text{C}$ ;  
Environment humidity: (20~90)%RH.

- Product functions;  
Protect against short circuit;  
Protect for over current;

- Operating method;  
Manual control;



# DELI STAINLESS STEEL SUBMERSIBLE DEEP WELL PUMP



- 01、 Outlet
- 02、 Valve
- 03、 Valve seat
- 04、 Shaft Bushing
- 05、 Bearing sleeve
- 06、 Shaft
- 07、 Diffuser
- 08、 Impeller
- 09、 Diffuser cover
- 10、 Pump pipe
- 11、 Intermediate support
- 12、 Rubber washer
- 13、 Intermediate support
- 14、 Shaft pin
- 15、 Coupling
- 16、 Cable cover
- 17、 Strainer
- 18、 Suction support
- 19、 Oil chamber
- 20、 Sand proof cap
- 21、 Mechanical seal
- 22、 Cable shield sleeve
- 23、 Bearing
- 24、 Motor stator
- 25、 Motor rotor
- 26、 Motor pipe
- 27、 Bearing
- 28、 Thrust bearing
- 29、 Bearing seat
- 30、 Rubber membrane
- 31、 Cover
- 32、 Clamping spring

# DELI STAINLESS STEEL SUBMERSIBLE DEEP WELL PUMP

## Features:

The Multi-stage Submersible Pump consists of 3 parts: motor, pump, and seal.

This pump is equipped with a multistage centrifugal impeller featuring a diameter guide vane structure, mounted on the top of the motor. A single mechanical seal is fitted between the pump and the motor, and a fixed stop-face seal with an oil-resistant rubber sealing ring is adopted for static sealing.

## Applications :

Suitable for but not limited to agricultural irrigation, water supply for towers, bottled water production and other applications.

## Working Conditions:

- Maximum environment temperature up to 20°C;
- PH value between 6.5 to 8.5;
- Maximum volume of impurities up to 0.1%,size up to 0.2mm;
- Frequency 50Hz,Voltage 220V, Three-phase 380V, Voltage fluctuation range provisions for 0.9-1.1 times;
- Diving depth between 5M to 70M.

# SPECIFICATION

Name	STAINLESS STEEL SUBMERSIBLE DEEP WELL PUMP					
Model	EDL-SJP370-E1	EDL-SJP550-E1	EDL-SJP750-E1	EDL-SJP1100-E1	EDL-SJP1500-E1	EDL-SJP2200-E1
Rated Voltage	220-240V-50Hz					
Electric Current	4.3A	5.3A	6.4A	9A	11.3A	17A
Motor Power	0.5HP/0.37kW	0.75HP/0.55kW	1.0HP/0.75kW	1.5HP/1.1kW	2.0HP/1.5kW	3.0HP/2.2kW
Max.Flow	6.8m <sup>3</sup> /h	6.8m <sup>3</sup> /h	6.8m <sup>3</sup> /h	6.8m <sup>3</sup> /h	6.8m <sup>3</sup> /h	6.8m <sup>3</sup> /h
Max.Head	43m	58m	72m	101m	128m	184m
Pipe Diameter	1.25"	1.25"	1.25"	1.25"	1.25"	1.25"
Rated Speed	2850r/min	2850r/min	2850r/min	2850r/min	2850r/min	2850r/min
Cable Length	20m	20m	20m	20m	20m	20m
N.W.	10.7kg	11.9kg	13.4kg	16.35kg	18.95kg	25.35kg
Product Length	68.4cm	76.1cm	83.8cm	103.1cm	118.6cm	148.2cm
Manufacturer	NINGBODELI TOOLS CO., LTD.					

# Product Warranty Card

## Dear users :

Thank you for buying our products. In order to ensure your profit, users who buy our products can contact local distributor or Specified repair stations with invoice and warranty cards if the product failures due to quality problems.

## Warranty Notice:

1. We will provide a 2-year limited warranty for the machine and a 1-year limited warranty for the battery, starting from the date of your purchase.
2. This warranty card and purchase invoice are the voucher of after-sales service provided by our company to customers. The card must be detailed only after filling in the following form and affixing the official seal with the distributor.
3. In one of the following cases, free warranty service will be invalid, and maintenance fees will be required:
  - ( 1 ) Exceed the expiration date.
  - ( 2 ) Failure or damage caused by not following the requirements of the product manual, maintenance or improper storage.
  - ( 3 ) Failure or damage caused by disassembling, repairing or modification of the product without the permission of our company.
  - ( 4 ) Machine breakdown or damage caused by force majeure.
  - ( 5 ) Consumable accessories.

This card is issued with the product. One card for one machine, to ensure that you can fully enjoy the right to free warranty service provided by the company, please keep this card properly, lost will not be replaced.

Purchase Date: \_\_\_\_\_ (Year/Month/Day)

# Product Certificate

Inspector:

01

Date of manufacture:

